

Bảng thông số sản phẩm

Thông số kỹ thuật



dual function relay, Harmony
Timer Relays, 8A, 1CO, 1s..100h,
asymmetrical flashing, 24V DC or
24...240V AC DC

RE17RLMU

Main

| | |
|---------------------------|---|
| Range of product | Harmony Timer Relays |
| product or component type | Modular timing relay |
| Discrete output type | Relay |
| Width | 17.5 mm |
| Device short name | RE17R |
| time delay type | Asymmetrical flashing |
| time delay range | 1...10 h 1...10 s 0.1...1 s 6...60 min 1...10 min 10...100 h 6...60 s |
| Nominal output current | 8 A |

Complementary

| | |
|--------------------------------|--|
| Contacts type and composition | 1 C/O |
| Contacts material | Cadmium free |
| Height | 90 mm |
| Depth | 72 mm |
| Control type | Selector switch front panel |
| [Us] rated supply voltage | 24...240 V AC 50/60 Hz 24 V DC |
| Voltage range | 0.85...1.1 Us |
| Supply frequency | 50...60 Hz +/- 5 % |
| release of input voltage | 10 V |
| Connections - terminals | Screw terminals, 1 x 0.5...1 x 3.3 mm ² (AWG 20...AWG 12) solid without cable end Screw terminals, 2 x 0.5...2 x 2.5 mm ² (AWG 20...AWG 14) solid without cable end Screw terminals, 1 x 0.2...1 x 2.5 mm ² (AWG 24...AWG 14) flexible with cable end Screw terminals, 2 x 0.2...2 x 1.5 mm ² (AWG 24...AWG 16) flexible with cable end |
| Tightening torque | 0.6...1 N.m conforming to IEC 60947-1 |
| Housing material | Self-extinguishing |
| Repeat accuracy | +/- 0.5 % conforming to IEC 61812-1 |
| Temperature drift | +/- 0.05 %/°C |
| Voltage drift | +/- 0.2 %/V |
| Setting accuracy of time delay | +/- 10 % of full scale at 25 °C conforming to IEC 61812-1 |

| | |
|---|--|
| control signal pulse width | 100 ms with load in parallel typical 30 ms typical |
| Insulation resistance | 100 MOhm at 500 V DC conforming to IEC 60664-1 |
| Reset time | 120 ms on de-energisation typical |
| On-load factor | 100 % |
| Power consumption in VA | 0...32 VA at 240 V AC |
| Maximum power consumption in W | 0.6 W at 24 V DC |
| Minimum switching current | 10 mA at 5 V DC |
| Maximum switching current | 8 A AC/DC |
| Maximum switching voltage | 250 V AC |
| Breaking capacity | 2000 VA |
| operating frequency | 10 Hz |
| Electrical durability | 100000 cycles (8 A at 250 V AC maximum) for resistive load |
| Mechanical durability | 10000000 cycles |
| Dielectric strength | 2.5 kV 1 mA/1 minute 50 Hz conforming to IEC 61812-1 |
| [Uimp] rated impulse withstand voltage | 5 kV during 1.2/50 µs |
| power on delay | 100 ms |
| marking | CE |
| Creepage distance | 4 kV/3 conforming to IEC 60664-1 |
| Safety reliability data | MTTFd = 296.8 years B10d = 270000 |
| Mounting position | Any position in relation to normal vertical mounting plane |
| Mounting support | 35 mm DIN rail conforming to IEC 60715 |
| Local signalling | LED indicator for on steady: relay energised, no timing in progress LED indicator for flashing: timing in progress 80 % ON and 20 % OFF |
| Function available | L- Asymmetrical flashing relay (starting pulse-off)-1 C/O Li- Asymmetrical flashing relay (starting pulse-on)-1 C/O |
| net weight | 0.07 kg |
| Control type | Without test button |
| Number of functions | 2 |
| Time delay type | L, Li |
| Functionality | Asymmetrical flashing timer |
| Compatibility code | RE17 |

Environment

| | |
|--------------------------------|--|
| Immunity to microbreaks | 20 ms |
| Standards | 2006/95/EC IEC 61000-6-2 IEC 61000-6-4 2004/108/EC IEC 61812-1 IEC 61000-6-3 IEC 61000-6-1 |
| Product certifications | GL cULus CSA |

| | |
|--|--|
| Ambient air temperature for storage | -30...60 °C |
| Ambient air temperature for operation | -20...60 °C |
| IP degree of protection | IP20 (terminal block) conforming to IEC 60529 IP40 (housing) conforming to IEC 60529 IP50 (front panel) conforming to IEC 60529 |
| Vibration resistance | 20 m/s ² (f= 10...150 Hz) conforming to IEC 60068-2-6 |
| Shock resistance | 15 gn for 11 ms conforming to IEC 60068-2-27 |
| Relative humidity | 93 % without condensation conforming to IEC 60068-2-30 |
| Electromagnetic compatibility | Electrostatic discharge immunity test: (in contact), level 3, 6 kV, conforming to IEC 61000-4-2 Electrostatic discharge immunity test: (in air), level 3, 8 kV, conforming to IEC 61000-4-2 Susceptibility to electromagnetic fields: (80 MHz to 1 GHz), level 3, 10 V/m, conforming to IEC 61000-4-3 Electrical fast transient/burst immunity test: (capacitive connecting clip), level 3, 1 kV, conforming to IEC 61000-4-4 Electrical fast transient/burst immunity test: (direct), level 3, 2 kV, conforming to IEC 61000-4-4 1.2/50 µs shock waves immunity test: (differential mode), level 3, 1 kV, conforming to IEC 61000-4-5 1.2/50 µs shock waves immunity test: (common mode), level 3, 2 kV, conforming to IEC 61000-4-5 Conducted RF disturbances: (0.15...80 MHz), level 3, 10 V, conforming to IEC 61000-4-6 Voltage dips and interruptions immunity test: (1 cycle), 0 %, conforming to IEC 61000-4-11 Voltage dips and interruptions immunity test: (25/30 cycles), 70 %, conforming to IEC 61000-4-11 Conducted and radiated emissions: , class B, conforming to EN 55022 |

Packing Units

| | |
|-------------------------------------|---------|
| Unit Type of Package 1 | PCE |
| Number of Units in Package 1 | 1 |
| Package 1 Height | 2.8 cm |
| Package 1 Width | 7.8 cm |
| Package 1 Length | 9.6 cm |
| Package 1 Weight | 81.0 g |
| Unit Type of Package 2 | S02 |
| Number of Units in Package 2 | 40 |
| Package 2 Height | 15.0 cm |
| Package 2 Width | 30.0 cm |
| Package 2 Length | 40.0 cm |
| Package 2 Weight | 3.68 kg |

Bền vững

Nhãn **Green Premium™** là cam kết của Schneider Electric trong việc cung cấp sản phẩm với hiệu suất môi trường tốt nhất. Green Premium cam kết tuân thủ các quy định mới nhất, minh bạch về tác động môi trường, cũng như các sản phẩm tuần hoàn và CO₂ thấp.

Hướng dẫn đánh giá tính bền vững của sản phẩm là tài liệu kỹ thuật phổ thông giúp làm rõ các tiêu chuẩn nhãn sinh thái toàn cầu và cách diễn giải việc khai báo môi trường.

[Tìm hiểu thêm về Green Premium >](#)

[Hướng dẫn đánh giá về sự bền vững của sản phẩm >](#)



Minh bạch [RoHS/REACH](#)

Hiệu suất sức khỏe

Mercury Free

RoHS Exemption Information [Yes](#)

Chứng nhận & Tiêu chuẩn

Reach Regulation [REACH Declaration](#)

Eu RoHS Directive Pro-active compliance (Product out of EU RoHS legal scope)

China RoHS Regulation [China RoHS declaration](#)

Environmental Disclosure [Product Environmental Profile](#)

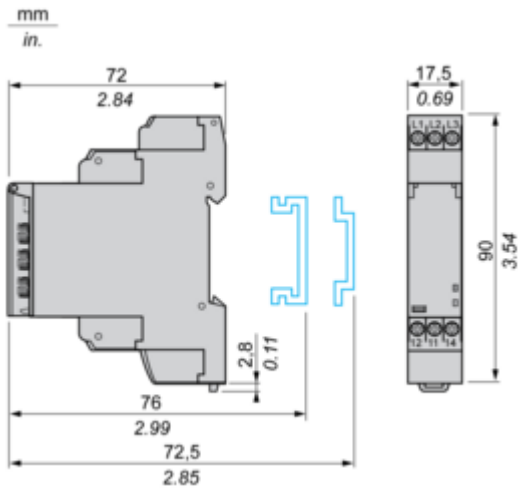
Circularity Profile [End of Life Information](#)

Bảng thông số sản phẩm

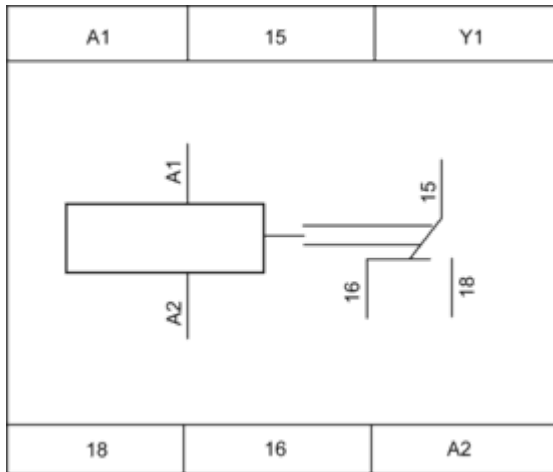
RE17RLMU

Dimensions Drawings

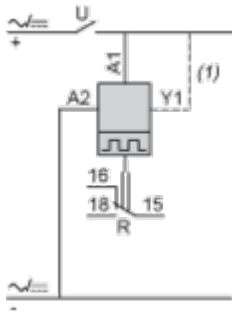
Width 17.5 mm



Internal Wiring Diagram



Wiring Diagram



1 Link A1-Y1 for function L only

Technical Description

Function L : Asymmetrical Flasher Relay (Starting Pulse Off)

Description

Repetitive cycle comprises of two, independently adjustable timing periods T_a and T_r . Each timing period corresponds to a different state of the output R.

Function: 1 Output



Function Li : Asymmetrical Flasher Relay (Starting Pulse On)





Description

Repetitive cycle comprises of two, independently adjustable timing periods T_a and T_r . Each timing period corresponds to a different state of the output R.

Function: 1 Output



Legend

| | |
|---|--------------------|
|  | Relay de-energised |
|  | Relay energised |
|  | Output open |
|  | Output closed |

| | |
|----------|--|
| C | Control contact |
| G | Gate |
| R | Relay or solid state output |
| R1/R2 | 2 timed outputs |
| R2 inst. | The second output is instantaneous if the right position is selected |
| T | Timing period |
| Ta - | Adjustable On-delay |
| Tr - | Adjustable Off-delay |
| U | Supply |